

AIR MOVING MOTOR: 5.7 in. / 144.8 mm. 120 V 2-Stage

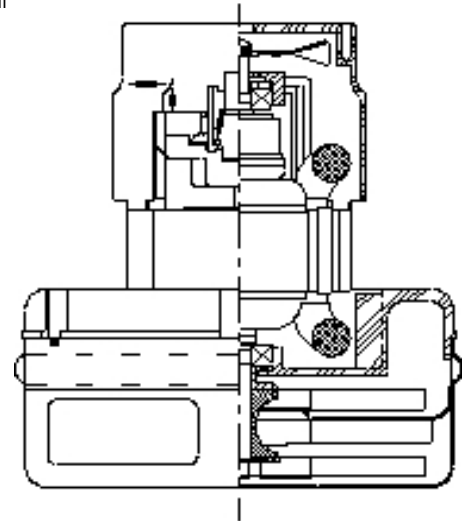
MODEL:116336-01

SPECIFICATIONS

Motor Type:	Series Universal
Input Voltage:	120 VAC, 50/60 Hz
Frequency:	50/60 Hz
Fan Diameter:	5.7 in./144.8 mm
No. Fan Stages:	2
Fan System Style:	Bypass
Air Discharge:	Peripheral
Operating Temp:	32-104°F/0-40°C
Bearing System:	Ball/Ball
Frame:	Skeleton
Brush Type:	Carbon
Inlet Tube Dia.:	None
RFI Choke:	None
Speed:	1

ADDITIONAL FEATURES

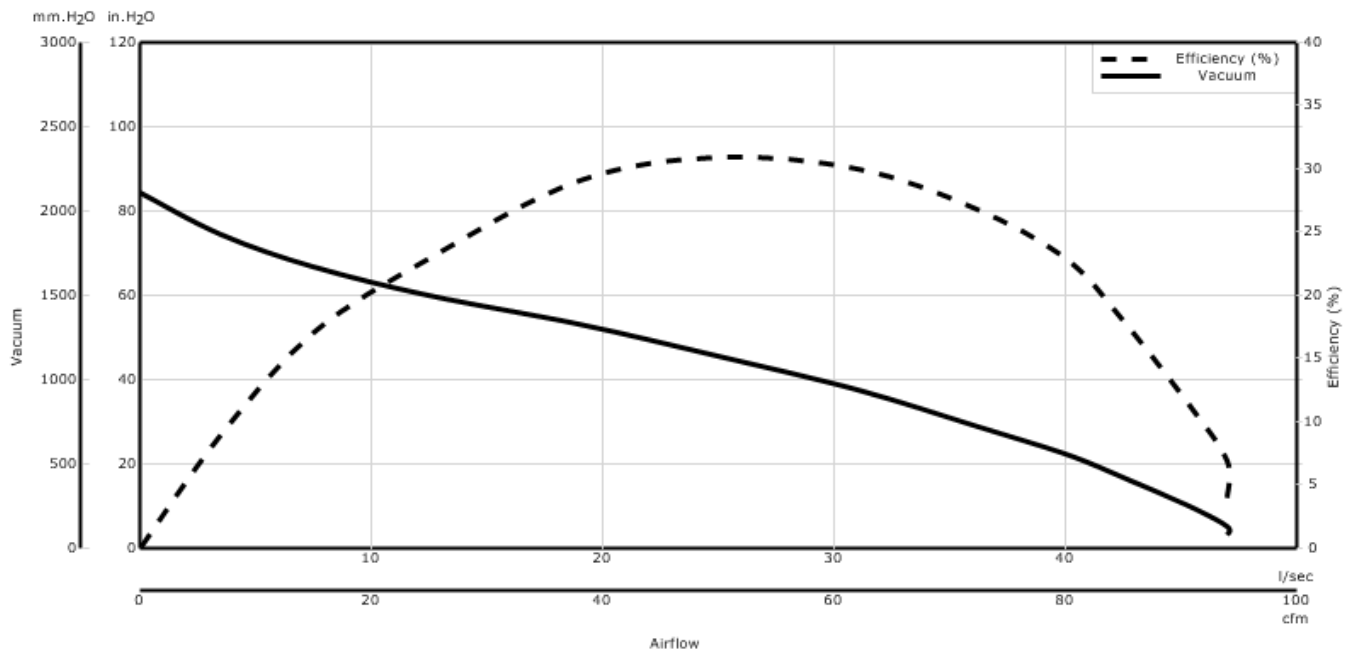
Regulatory:	UL Recognized, CSA certif
Comm Bracket:	Aluminum
Fan Bracket:	Plastic
Therm Protect:	None
Insulation Class:	Class A
Added Bearing Prot.:	
Fan Shell Coat:	None
Electrical Conn.:	Lead Wires
Duty Cycle:	Intermittent
Special Feature:	



Design Application

Equipment operating in environments requiring separation of working air from motor ventilating air.
Designed to handle clean,dry, filtered air only

PERFORMANCE



* Data represents performance of a typical motor sampled from a large production quantity. Individual motor data may vary, due to normal manufacturing variations."

Data shown is measured at regulated nominal voltage and normalized to standard atmospheric pressure and temperature.

ENGLISH

Orifice (inches)	Amps	Watts (In)	RPM	Vac (In. H2O)	Flow (CFM)	Air Watts
2.000	7.90	899	17800	3.1	94.0	34
1.750	7.90	903	17815	5.3	94.0	59
1.500	7.90	905	17750	9.4	91.0	100
1.250	8.00	916	17675	16.7	85.0	167
1.125	8.00	916	17650	22.6	80.0	212
1.000	8.00	913	17650	29.3	72.0	248
0.875	7.90	899	17850	37.4	62.0	274
0.750	7.60	869	18225	45.8	50.0	273
0.625	7.20	827	18800	53.3	38.0	238
0.500	6.80	780	19575	59.8	25.0	181
0.375	6.20	721	20450	66.9	15.0	120
0.250	5.70	667	21550	74.2	7.0	62
0.000	5.40	620	22450	84.3	0.0	0

METRIC

Orifice (mm)	Amps	Watts (In)	RPM	Vac (mm H2O)	Flow (l/Sec)	Air Watts
48.000	7.90	901	17807	103.0	44.4	45
40.000	7.90	904	17770	208.0	43.4	88
30.000	8.00	916	17661	507.0	38.8	192
23.000	7.90	903	17800	899.0	30.4	268
19.000	7.60	868	18237	1,167.0	23.5	272
16.000	7.20	829	18777	1,346.0	18.2	239
13.000	6.80	785	19498	1,502.0	12.4	187
10.000	6.30	730	20319	1,672.0	7.8	129
6.500	5.70	670	21495	1,875.0	3.5	65
0.000	5.40	620	22450	2,141.0	0.0	0

* Metric data is calculated based on ASTM standards
 Box tests are performed to ASTM F558

WARNING: When using AMETEK vacuum motors in machines that come in contact with foam, liquid (including water), or other foreign substances, the machine must be designed and constructed to prevent those substances from reaching the fan system, motor housing, and electrical components. Ametek motors other than hazardous duty models should not be applied in machines that come in contact with dry chemicals or other volatile materials. Failure to observe these precautions could cause flashing (depending on volatility) or electrical shock which could result in property damage and severe bodily injury, including death in extreme cases. All applications incorporating Ametek motors should be submitted to appropriate organizations or agencies for testing specifically related to the safety of your equipment.