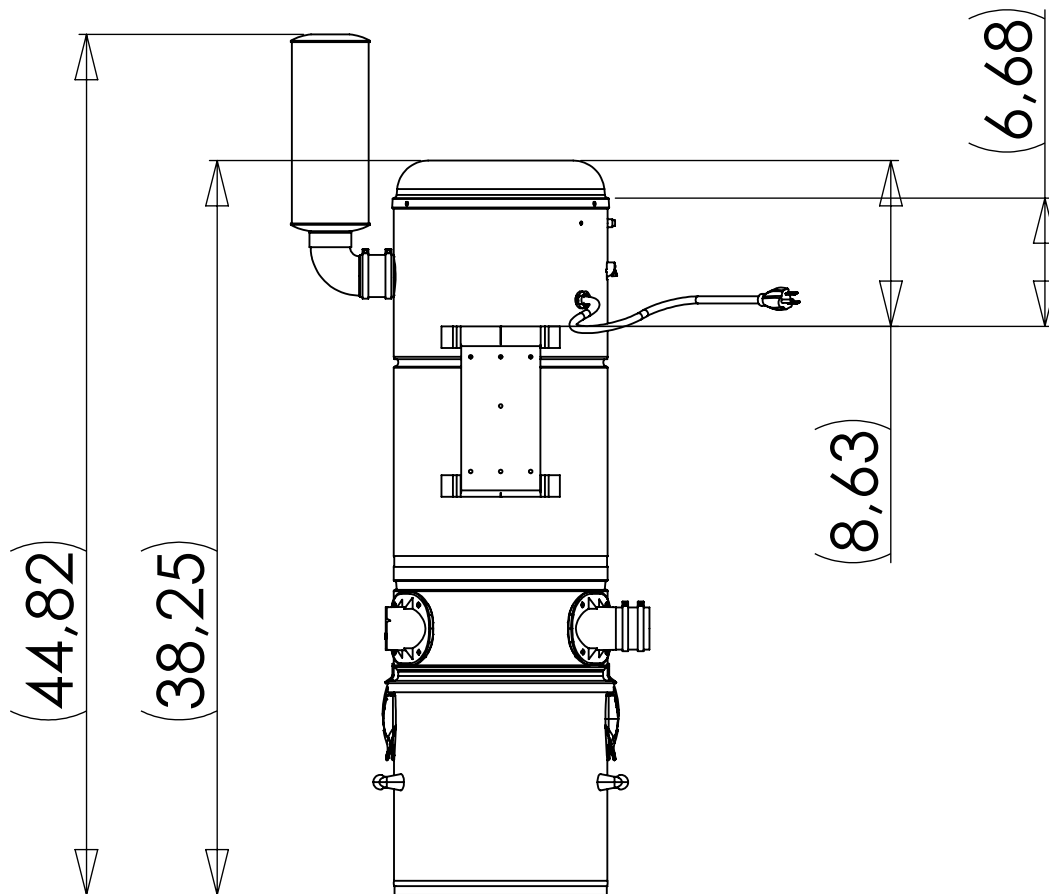



## H215 - 120V ACYH215A

| NO | PARTS/PIÈCES/PIEZAS | DESCRIPTION                       |
|----|---------------------|-----------------------------------|
| 1  | NCOUV19R            | Couvercle "TF"                    |
| 2  | FCHAL18XIS          | Dsique chal. "E" TF               |
| 3  | QUIVIS39            | Vis moteur 2-5/8                  |
| 4  | SPARUB905           | Spacer caoutchou 0.095"           |
| 5  | FM22880001          | Moteur TM2288000 assbl            |
| 6  | SPARUB902           | Spacer caoutchou 1.25"            |
| 7  | GASCUT20R           | GASCUT20+MRIPR01Z                 |
| 8  | ELECIR901V          | Circuit Electr. 240v 15A          |
| 9  | ELECOR01            | Cordon électrique 120V            |
| 10 | ELECOR02            | Clip de retenue cordon électrique |
| 11 | GASLIN716           | Gasket 1/8 X 7/16 (Pied)          |
| 12 | TDFILT64V           | Filtre autonettoyant 11" Teflon   |
| 13 | TDSACC13            | Sac allerx Cyclo 3 dents régulier |
| 14 | FBARI09RSI          | Baril Cyclo court                 |
| 15 | REPINTKG1           | Ensemble entrés air a sac         |
| 16 | REPINTKG            | Ensemble entrée air               |
| 17 | TFASS001            | Bouchon Intake                    |
| 18 | NSUPP02R            | Support mural                     |
| 19 | TENSMUF7            | Ensemble muffler                  |
| 20 | NCORP205R           | Corps Hybrid 215                  |



|                                                                                                                                                                                           |                                                                                                                                                |                                                                                       |                                                                                                                  |             |
|-------------------------------------------------------------------------------------------------------------------------------------------------------------------------------------------|------------------------------------------------------------------------------------------------------------------------------------------------|---------------------------------------------------------------------------------------|------------------------------------------------------------------------------------------------------------------|-------------|
| <b>Statut:</b>                                                                                                                                                                            | <b>PROPRIETARY AND CONFIDENTIAL</b><br>L'INFORMATION CONTENUE DANS CE<br>DESSIN EST LA PROPRIÉTÉ EXCLUSIVE<br>DE <Les Industries TROVAC Ltée>. |  | 3 Marcel Ayotte, Blainville (Quebec)<br>Canada J7C 5L7<br>tel: 450-434-2233, 1-800-361-9553<br>fax: 450-434-6111 |             |
| <b>Révision:</b>                                                                                                                                                                          | THE INFORMATION CONTAINED IN THIS<br>DRAWING IS THE SOLE PROPERTY OF<br><Les Industries TROVAC Ltée>.                                          |                                                                                       | <b>TITRE</b><br><b>H215 - H615</b>                                                                               |             |
| LES DIMENSIONS SONT EN POUÇES<br>DIMENSIONS ARE IN INCHES<br>TOLERANCES:<br>FRACTIONAL: $\pm 1/32$<br>ANGULAR: MACH $\pm 1^\circ$<br>BEND $\pm 1^\circ$<br>.XX $\pm 0.03$ .XXX $\pm 0.01$ | <b>DESSIN PAR</b> LD                                                                                                                           |                                                                                       |                                                                                                                  |             |
| <b>MATÉRIEL:</b>                                                                                                                                                                          | <b>VÉRIFIER</b>                                                                                                                                |                                                                                       |                                                                                                                  |             |
| <b>FINITION:</b>                                                                                                                                                                          | <b>COMMENTAIRE:</b><br>Le dessin n'est pas à l'échelle<br>Do not scale drawing!                                                                | <b>SIZE</b><br><b>A</b>                                                               | <b>DWG. NO.</b> ACYH215E - H615E<br><b>Projet:</b>                                                               |             |
|                                                                                                                                                                                           |                                                                                                                                                | Created date: 11 mars 2013 10:53:01                                                   |                                                                                                                  | PAGE 2 DE 2 |