

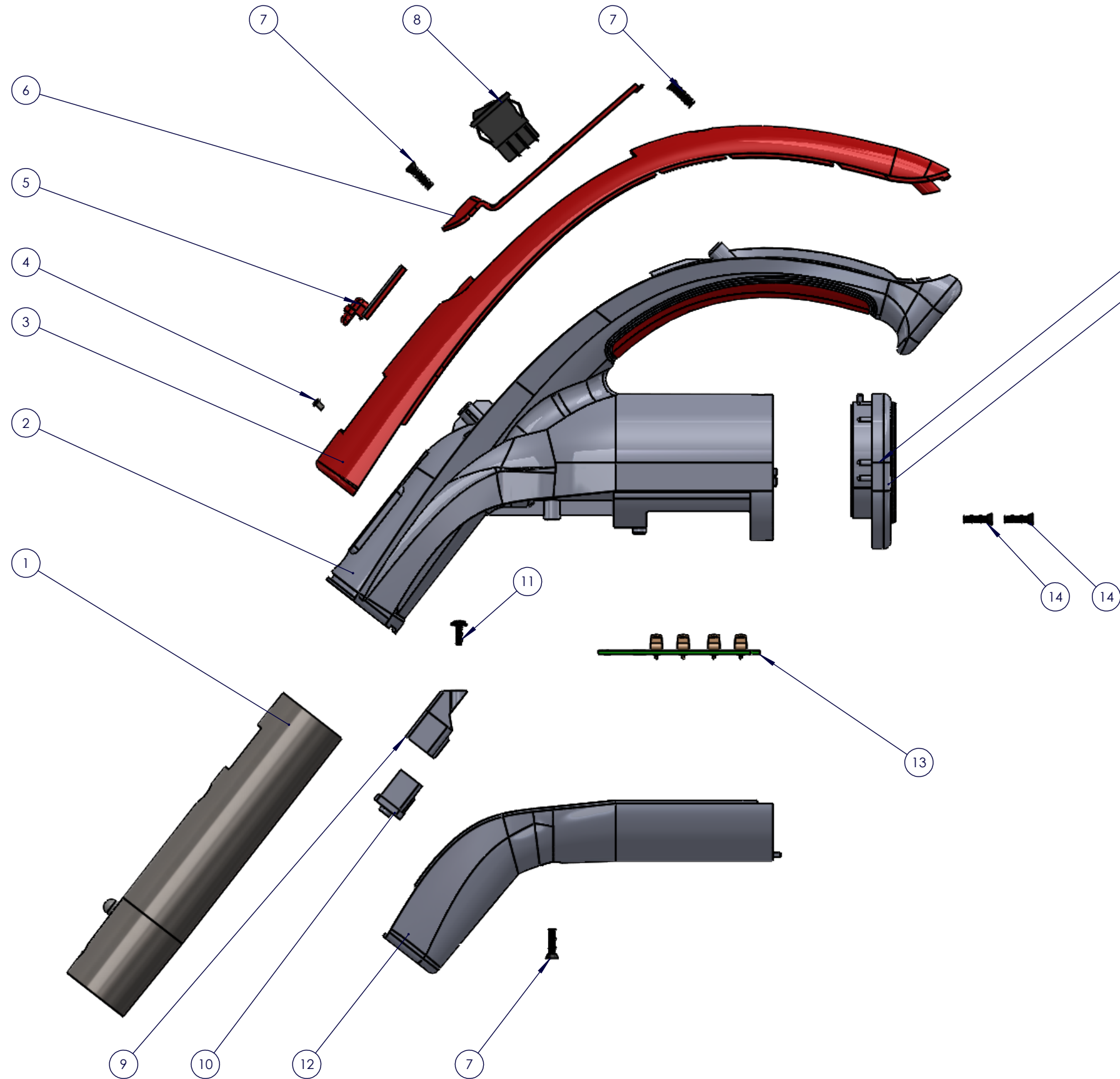
Add grease on the rubber ring

That part will hold the handle to the hose

| No. ARTICLE | PartNo     | DESCRIPTION                    | QTE |
|-------------|------------|--------------------------------|-----|
| 1           | Hose       | Hose depending lenght          | 1   |
| 2           | TBOPOA018  | Grey clip ring                 | 1   |
| 3           | TBOPOIGASK | Handle o-ring                  | 1   |
| 4           | TBOASS005  | Insert inside hose             | 1   |
| 5           | TBOASS001  | Small plast,ring spacer        | 3   |
| 6           | TBOASS003  | Handle brass ring              | 4   |
| 7           | TBOASS002  | Medium past,ring spacer        | 1   |
| 8           | TBOASS007  | Threated handle clip B         | 1   |
| 9           | TBOASS006  | Threated handle clip A         | 1   |
| 10          | TBOASS012  | Threated wall end B            | 1   |
| 11          | TBOASS011  | Threated wall end A            | 1   |
| 12          | TBOPOA006  | Handle screw black             | 2   |
| 13          | TBOASS019  | Wall end hose insert           | 1   |
| 14          | TBOASS013  | Wall end top cover             | 1   |
| 15          | TBOASS021  | Pigtail with 7A Fuse           | 1   |
| 16          | TBOASS016  | Wall end top cover cap         | 1   |
| 17          | IMPETI13   | Part and serial number sticker | 1   |
| 18          | TBOASS020  | Pwer cord                      | 1   |

|  |                  |   |  |  |             |                  |            |                 |  |
|--|------------------|---|--|--|-------------|------------------|------------|-----------------|--|
| <b>Statut:</b>   |                  | <b>PROPRIETARY AND CONFIDENTIAL</b><br>L'INFORMATION CONTENUE DANS CE DESSIN EST LA PROPRIÉTÉ EXCLUSIVE DE <Les Industries TROVAC Ltée>.<br>THE INFORMATION CONTAINED IN THIS DRAWING IS THE SOLE PROPERTY OF <Les Industries TROVAC Ltée>. |  | 3 Marcel Ayotte, Blainville (Quebec)<br>Canada J7C 5L7<br>tel: 450-434-2233, 1-800-361-9553<br>fax:450-434-6111                      |             |                  |            |                 |  |
| <b>Revision:</b> A-01  |                  | <table border="1"> <tr> <td><b>DRAW</b></td> <td>LD</td> <td>01/11/2017</td> </tr> <tr> <td><b>CHECK</b></td> <td></td> <td></td> </tr> </table>  |  |  | <b>DRAW</b> | LD               | 01/11/2017 | <b>CHECK</b>    |  |
| <b>DRAW</b>  | LD               | 01/11/2017  |  |  |             |                  |            |                 |  |
| <b>CHECK</b>   |                  |   |  |  |             |                  |            |                 |  |
| <small>LES DIMENSIONS SONT EN POUCHES<br/>DIMENSIONS ARE IN INCHES<br/>TOLERANCES:<br/>FRACTIONAL ±1/32<br/>ANGULAR: MACH±1°<br/>BEND ±1°<br/>.XX ±.03 .XXX ±.01</small> |                  | <b>TITLE</b><br><b>110 / 24 hose assembly</b>   |  | <table border="1"> <tr> <td>SIZE</td> <td><b>DRAW NO.:</b></td> </tr> <tr> <td><b>A</b></td> <td><b>Project:</b></td> </tr> </table> | SIZE        | <b>DRAW NO.:</b> | <b>A</b>   | <b>Project:</b> |  |
| SIZE   | <b>DRAW NO.:</b> |   |  |  |             |                  |            |                 |  |
| <b>A</b>   | <b>Project:</b>  |   |  |  |             |                  |            |                 |  |
| <b>MATERIAL</b>  |                  | <b>Description:</b>   |  | Creation Date: 1 novembre 2017 14:04:32 SHEET 1 OF 3   |             |                  |            |                 |  |
| <b>COLOR</b>   |                  | Le dessin n'est pas à l'échelle<br>Do not scale drawing!  |  |  |             |                  |            |                 |  |

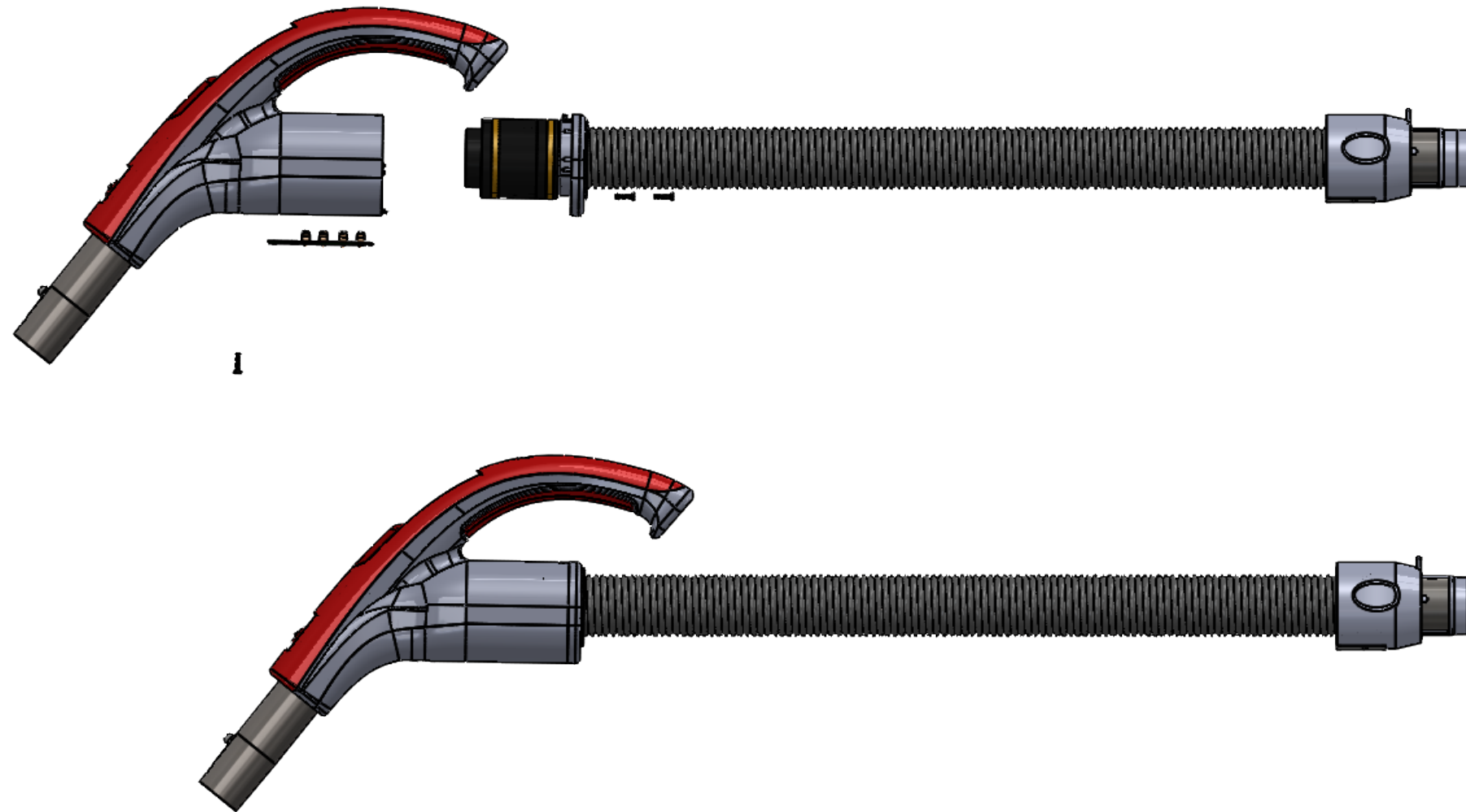
| REVISIONS |  |            |
|-----------|--|------------|
| REV.      | DESCRIPTION                            | DATE       |
| A-01      | Added TBOPOA006 x2, TBOASS020,IMPETI13 | 2017-11-09 |



Clip should already be mounted on the hose


| No. ARTICLE | PartNo    | DESCRIPTION                     | QTE |
|-------------|-----------|---------------------------------|-----|
| 1           | TBEMBIT11 | Button lock stub                | 1   |
| 2           | TBOPOA010 | Cyclo Handle                    | 1   |
| 3           | TBOPOA015 | Top cover Cyclo                 | 1   |
| 4           | TBOPOA008 | Handle screw for bleeder        | 1   |
| 5           | TBOPOA021 | Air bleeder cover               | 1   |
| 6           | TBOPOA024 | 110/24V insert brg              | 1   |
| 7           | TBOPOA006 | Handle screw black              | 3   |
| 8           | TBOPOA003 | 110/24 switch + male/fem. conn. | 1   |
| 9           | TBOPOA020 | Cover direct connect recept.    | 1   |
| 10          | TBOPOA019 | Direct connect receptacle       | 1   |
| 11          | TBOPOA007 | Handle screw conn. 110V         | 1   |
| 12          | TBOPOA013 | Lower part handle 110V          | 1   |
| 13          | TBOPOA005 | Contact 110v / 24V              | 1   |
| 14          | TBOPOA009 | Clip ring screw black           | 2   |
| 15          | TBOPOA018 | Grey clip ring                  | 1   |

|  |    |   |  |   |             |    |            |              |  |
|--|----|---|--|---|-------------|----|------------|--------------|--|
| <b>Statut:</b>   |    | <b>PROPRIETARY AND CONFIDENTIAL</b><br>L'INFORMATION CONTENUE DANS CE DESSIN EST LA PROPRIÉTÉ EXCLUSIVE DE <Les Industries TROVAC Ltée>.<br>THE INFORMATION CONTAINED IN THIS DRAWING IS THE SOLE PROPERTY OF <Les Industries TROVAC Ltée>. |  | 3 Marcel Ayotte, Blainville (Quebec)<br>Canada J7C 5L7<br>tel: 450-434-2233, 1-800-361-9553<br>fax:450-434-6111 |             |    |            |              |  |
| <b>Revision:</b>   |    | <table border="1"> <tr> <td><b>DRAW</b></td> <td>LD</td> <td>01/11/2017</td> </tr> <tr> <td><b>CHECK</b></td> <td></td> <td></td> </tr> </table>  |  |   | <b>DRAW</b> | LD | 01/11/2017 | <b>CHECK</b> |  |
| <b>DRAW</b>  | LD | 01/11/2017  |  |   |             |    |            |              |  |
| <b>CHECK</b>   |    |   |  |   |             |    |            |              |  |
| LES DIMENSIONS SONT EN POUCES<br>DIMENSIONS ARE IN INCHES<br>TOLERANCES:<br>FRACTIONAL: ±1/32<br>ANGULAR: MACH ±1°<br>BEND ±1°<br>.XX ±.03 .XXX ±.01 |    | <b>TITLE</b><br><b>110/24V Handle assembly</b>  |  |   |             |    |            |              |  |
| <b>MATERIAL</b>  |    | <b>Description:</b>   |  | SIZE<br><b>A</b>  |             |    |            |              |  |
| <b>COLOR</b>   |    | Le dessin n'est pas à l'échelle<br>Do not scale drawing!  |  | <b>DRAW NO.:</b><br><b>Project:</b>   |             |    |            |              |  |
|  |    | Creation Date: 1 novembre 2017 14:04:32   |  | SHEET 2 OF 3  |             |    |            |              |  |



### Step by step

- 1 - Slide the handle in place
- 2 - Clip the contacts in place
- 3 - screw the bottom part of the handle using TBOPOA006
- 4 - Insert the top tab of the clip ring TBOPOA018
- 5 - Screw the clip ring to the handle using TBOPOA009

|  |  |                  |   |
|--|--|------------------|---|
| <b>Statut:</b>   | <b>PROPRIETARY AND CONFIDENTIAL</b><br>L'INFORMATION CONTENUE DANS CE DESSIN EST LA PROPRIÉTÉ EXCLUSIVE DE <Les Industries TROVAC Ltée>. |                  |  3 Marcel Ayotte, Blainville (Quebec)<br>Canada J7C 5L7<br>tel: 450-434-2233, 1-800-361-9553<br>fax:450-434-6111 |
| <b>Revision:</b>   | THE INFORMATION CONTAINED IN THIS DRAWING IS THE SOLE PROPERTY OF <Les Industries TROVAC Ltée>.  |                  |   |
| LES DIMENSIONS SONT EN POUCES<br>DIMENSIONS ARE IN INCHES<br>TOLERANCES:<br>FRACTIONAL ±1/32<br>ANGULAR: MACH±1°<br>BEND ±1°<br>.XX ±.03 .XXX ±.01 | <b>DRAW</b>  | LD               | 01/11/2017  |
| <b>MATERIAL</b>  | <b>Description:</b>  |                  | <b>TITLE</b>  |
| <b>COLOR</b>   | Le dessin n'est pas à l'échelle<br>Do not scale drawing!   |                  | <b>110/24V hose final assembly</b>  |
|  | <b>SIZE</b>  | <b>DRAW NO.:</b> |   |
|  | <b>A</b>   | <b>Project:</b>  |   |
|  | Creation Date: 1 novembre 2017 14:04:32 SHEET 3 OF 3   |                  |   |